

Special for Australian Market



STAVE™ 265W~280W

5BB-Polycrystalline PV Module

CHSM6610P Series

CHSM6610P/HV Series

CHSM6610P max system voltage 1000V standard

CHSM6610P/HV max system voltage 1500V standard

Tier 1

Bloomberg

No.1

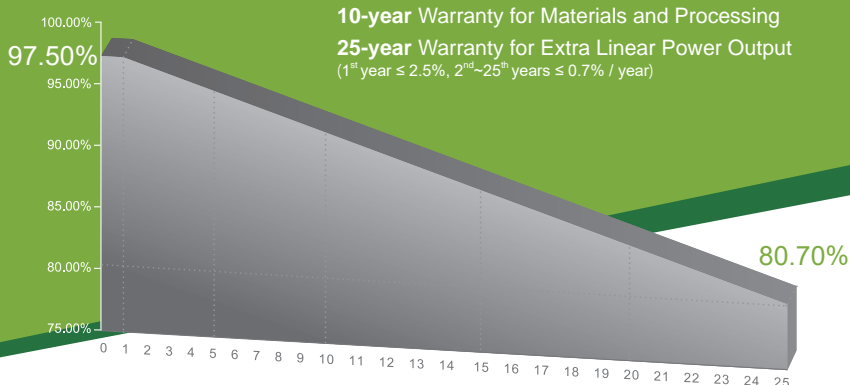
PHOTON

MunichRe

Insured

DNV GL

2017 TOP
Performance



Optional: Black frame designed for the certain projects and applications (e.g. residential rooftop and so on)

COMPREHENSIVE CERTIFICATES



First solar company which passed the TUV Nord IEC/TS 62941 certification audit.

KEY FEATURES



OUTPUT POSITIVE TOLERANCE

Guaranteed 0~+5W positive tolerance ensures power output reliability.



INNOVATIONAL 5-BUSBAR CELLS

Reduces the cell series resistance and internal stress, decreases the risk of micro-crack and improves the module output.



EXCELLENT MECHANICAL LOAD CAPABILITY

Certified to withstand: snow load (6000 Pa) and wind load (3600 Pa).



LOW-LIGHT IRRADIANCE

With the deep textured ARC glass and cell surface texturing process, achieve the excellent performance at the haze, cloudy days and other low light conditions.



ELECTRICAL SPECIFICATIONS

STC rated output (P_{mpp})*	265 Wp	270 Wp	275 Wp	280 Wp
Rated voltage (V_{mpp}) at STC	30.92 V	31.08 V	31.12 V	31.20 V
Rated current (I_{mpp}) at STC	8.58 A	8.70 A	8.85 A	8.99 A
Open circuit voltage (V_{oc}) at STC	37.87 V	38.00 V	38.45 V	38.69 V
Short circuit current (I_{sc}) at STC	9.18 A	9.45 A	9.52 A	9.59 A
Module efficiency	16.2%	16.5%	16.9%	17.2%
Rated output (P_{mpp}) at NOCT	198.8 Wp	202.5 Wp	206.3 Wp	210.0 Wp
Rated voltage (V_{mpp}) at NOCT	27.98 V	28.12 V	28.15 V	28.22 V
Rated current (I_{mpp}) at NOCT	7.10 A	7.20 A	7.33 A	7.44 A
Open circuit voltage (V_{oc}) at NOCT	34.60 V	34.71 V	35.13 V	35.35 V
Short circuit current (I_{sc}) at NOCT	7.73 A	7.96 A	8.02 A	8.08 A
Temperature coefficient (P_{mpp})	- 0.407%/°C			
Temperature coefficient (I_{sc})	+0.049%/°C			
Temperature coefficient (V_{oc})	- 0.310%/°C			
Normal operating cell temperature (NOCT)	43±2°C			
Maximum system voltage (IEC)	1000V _{DC} or 1500V _{DC}			
Number of diodes	3			
Junction box IP rating	IP 67			
Maximum series fuse rating	15 A			

* Measurement tolerance +/- 3%

STC: Irradiance 1000W/m², Cell Temperature 25°C, AM=1.5

NOCT: Irradiance 800W/m², Ambient Temperature 20°C, AM=1.5, Wind Speed 1m/s

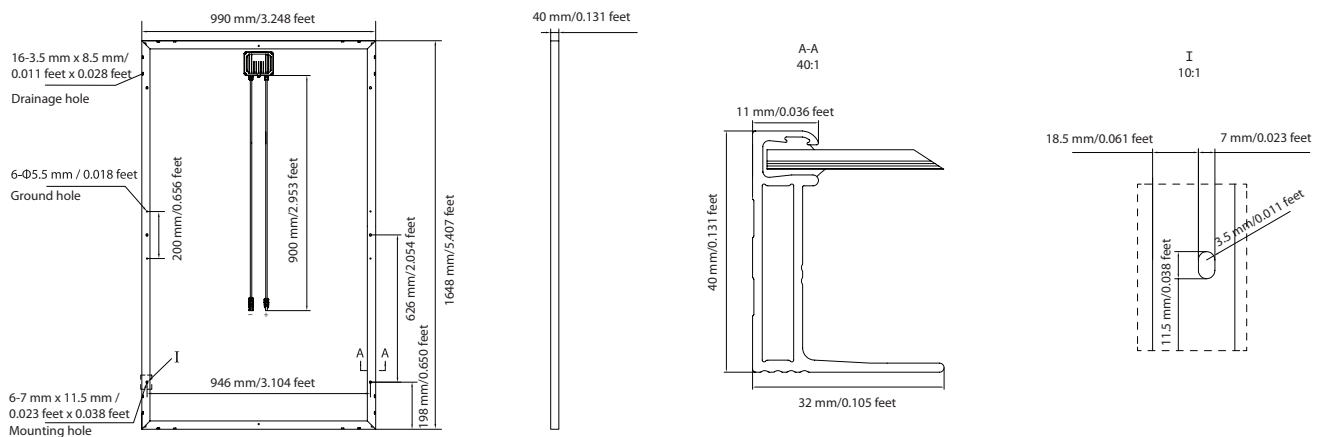
MECHANICAL SPECIFICATIONS

Outer dimensions (L x W x H)	1648 x 990 x 40 mm 64.88 x 38.98 x 1.57 in
Frame technology	Aluminum, silver / black anodized
Module composition	Glass / EVA / Backsheet (white)
Front glass thickness	3.2 mm / 0.13 in
① Cable length (IEC)	900 mm / 35.43 in
Cable diameter (IEC)	4 mm ²
② Maximum mechanical test load	6000 Pa
Fire performance (IEC)	C
Connector type (IEC)	MH5 (by Minghe)

① Option: 900(+)/600(-) mm or 1000 mm for defined projects in advance.

② Refer to Astronergy crystalline installation manual or contact technical department.
Maximum Mechanical Test Load=1.5×Maximum Mechanical Design Load.

MODULE DIMENSION DETAILS

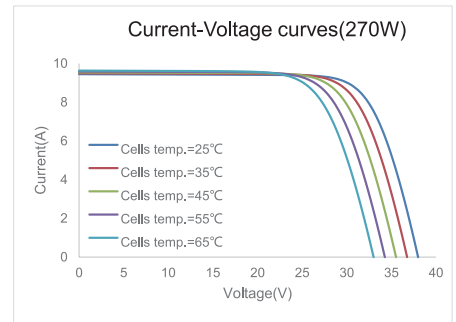
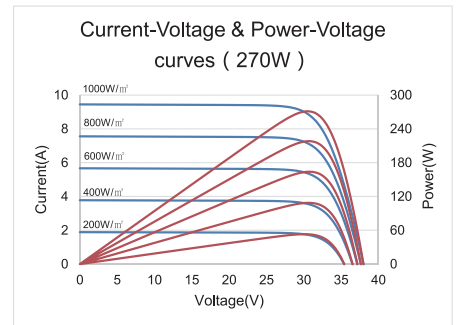


Made in China, Vietnam, Thailand and Germany

© Chint Solar (Zhejiang) Co., Ltd. Reserves the right of final interpretation. please contact our company to use the latest version for contract.

www.astronergy.com

CURVE



PACKING SPECIFICATIONS

① Weight (module only)	18.6 kg / 41.01 lbs
② Packing unit	27 pcs / box
Weight of packing unit (for 40'HQ container)	541 kg / 1358 lbs
Number of modules per 40'HQ container	756 pcs

① Tolerance +/- 1.0kg

② Subject to sales contract